



# EDM DrillMate

Model 22i-A

The highlight of the DrillMate 22i-A Series is the small foot print. Also a smooth twelve station carousel electrode changer can be added. The user friendly Windows Based Software will have EDM operators drilling within a few hours.

Included is a robust 60 amp, 75 peak power supply. A solid work piece granite work table aims to protect the table from drilling mishaps. Positioning accuracy is accomplished by servo drives and linear guiderails on all three axes with high precision ball screws. Optional time saving features include electrode redress, and tap software for metric and inch threads. Password lock software protects from accidental cutting data changes. Set-up is a breeze with the DrillMate's hand pendant controller

Designed to meet the needs of JOB SHOPS, AEROSPACE, MEDICAL and DEFENSE INDUSTRIES, the EDM DrillMate 22i-A is a compact, easy to use machine that can find it's home in almost any shop.

This feature packed machine combines affordability, precision and versatility with a host of standard features along with premium options and accessories. Compare the features and we think you'll agree... the EDM DrillMate 22i-A offers more than competitive machines that sell for twice the price.

“Designed to put holes in your work, not your wallet!”



**Machine Specifications** **Model 22i-A**

Table Travels (X-Y)	15.75" x 12" x 18.75"
Work Table Size	21.5" x 13.75"
Min. Ram Height to Table	0.75"
Electrode Diameter	0.2mm – 3mm
Max. Work Piece Weight	661 lbs.
Max. Work Piece Height	20.0"
Max. Electrode Length	19.68" (500mm)

**Control / Power Supply**

Peak Current Selections	1 - 15
Voltage Selections	2 Steps
Pulse On Time Settings	1 - 30
Pulse Off Time Settings	1 - 30
Servo	1 - 15
Maximum Current	75 Amp Peak
Gap Adjustment	1 - 15

**Dielectric System**

Resin	1.1 Cubic Ft. Resin Bottle
Flush	Water / Oil
Pump	Electric
Reservoir	30 Gallon
Filtration	15 Micron / 5 Micron
Auxiliary Flush	Standard

**Power**

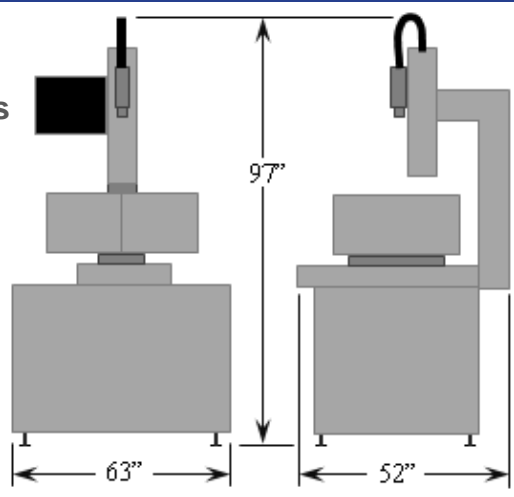
Input Power Supply (volts) 3 Phase	208 / 220 / 240 / 480
Max. Power Rating	3KVA

**General**

Machine Dimensions (WxDxH) approx.	63"x 52"x 97"
Machine Weight	1,500 lbs.
Shipping Dimensions (WxDxH) approx.	73"x 56"x 89"
Shipping Weight	1,600 lbs.

**Standard Equipment**

- 4 Axis Digital Readout
- 3 Precision Chucks (Keyed)
- 3 Pack Brass Electrode Tubes
- 3 Guides
- LED Worklight
- Air Hose



**Automatic Electrode Changer**



The 22i-A offers an optional 12 ATC carousel for quick and efficient un-manned operations. A easy chuck clamping system makes changing electrodes user friendly. Fully automatic mid guides keep smaller electrodes stable during drilling.

**30 Gallon Filtration Tank**



1.1 Cubic foot resin tank is standard equipment. This larger water tank size provides increased temperature stability for extended dielectric capacity

**Granite Work Table**

