

MACHINE SPECIFICATIONS Model 25

Table Travels (X-Y)	11.8" x 9.8"
Work Tank	35" x 20.75"
Work Table Size	23.5" x 11.75"
Min. Ram Height to Table	1.375"
Electro-Guide Travel	6"
W Axis Power Backslide	8"
Max. Z Motor Axis Travel with Chuck	13.5"
Max. Work Piece Weight	365 Lbs
Max. Work Piece Height	13.5"

CONTROL/POWER SUPPLY

Peak Current Selections	7 Steps
Voltage Selections	3 Steps
Pulse On Time Settings	1-30 Steps
Pulse Off Time Settings	1-15 Steps
Servo	0-10 Steps
Capacitors	9 Steps
Max. Current	75 Peak Amp
Gap Adjustment	9 Steps

DIELECTRIC SYSTEM

Resin	
Flush	Water/Oil
Pump	Pneumatic
Reservoir	5 Gallon
Filtration	10 Micron/5 Micron
Auxiliary Flush	Standard

POWER

Input Power Supply (volts) 3 Phase	208/220/240/480
Max. Rating Power	5 KVA

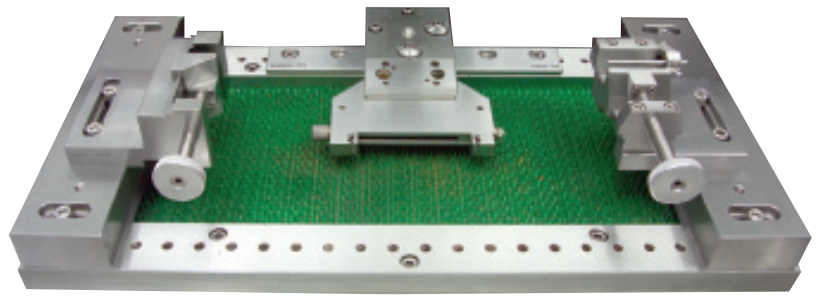
GENERAL

Machine Dimensions (WxDxH) approx.	35" x 45" x 86"
Weight	2,300 Lbs
Shipping Dimensions (WxDxH) approx.	56" x 65" x 88"
Shipping Weight	2,300 Lbs

STANDARD EQUIPMENT

• Digital Readout	✓
• X, Y, Z Glass Scales	✓
• Precision Chuck (0-.118)	Keyless Chuck
• 3 Pk. Brass Electrode Tubes/3 Guides	✓
• Ground Tooling Rails *(accommodates EDM tooling)	2*
• Halogen Worklight	✓
• Collet System	Optional
• Submerged Work Tank	
• Resin	

Specifications may change without notice.



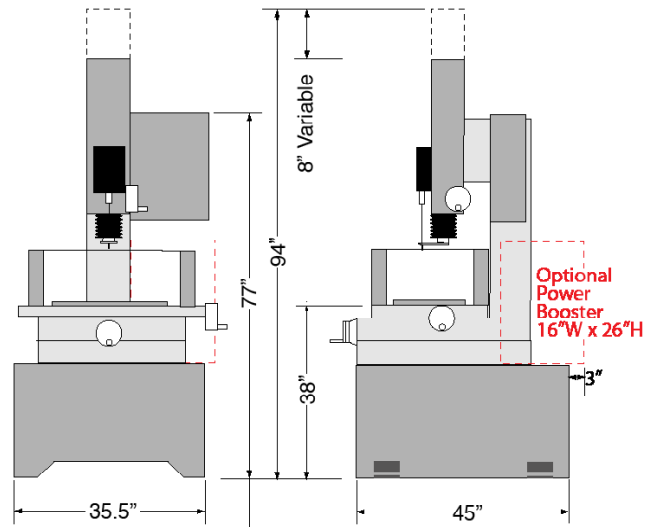
The work table and components are constructed from stainless material providing for easy clean up and long life. The green plastic "turf" acts as a pre-filter for the DrillMate's closed-loop filtration system. Splash guards are standard. Shown here with optional EDM Tooling installed.



Optional power booster can be installed at rear of machine.



Unique to this machine is the hand feed dials which display in .001" (one thousandth inch) increments as opposed to metric.



The Model 25 offers operators many standard features. It is built to meet the rugged demands of users who require accuracy and repeatability.

- ✓ Power W Axis provides easy adjustment to accommodate a maximum 13.5" work piece height.
- ✓ 5-micron closed loop Filtration System
- ✓ "B Axis" Indexer Interface
- ✓ Hand Held Remote Pendant aids operator during setup when close visual inspection is necessary.
- ✓ Programmable Control for 100 electrode settings
- ✓ Glass scales on all three axis for accuracy and user-friendly operation.
- ✓ The standard transformer has 3-phase 208, 220, 240 and 480 volt taps.
- ✓ Adjustable Soft Start
- ✓ Auxiliary Flush
- ✓ Halogen Work Light

